
MechoShade® Product Comparison Guide



MechoShade® quality surpasses the competition!

SHADEBAND MOUNTING 1

MechoShade: SnapLoc™ spline fused to shadeband. The shadeband, with an extruded SnapLoc spline, snaps into and out of an extruded slot in the shade tube.

Others*: Shadecloth is taped to aluminum or steel tube with self-adhesive transfer tape and reinforced with an overlapping layer of duct tape.

FASCIA MOUNTING SYSTEM 2

MechoShade: SnapLoc fascia in .065 extruded aluminum. Snaps into slots in the mounting bracket. SnapLoc fascia can be continued unbroken over two or more windows, while covering all brackets for a wall-to-wall valence effect. No exposed hardware. Positive locking. Baked enamel finish; powder coat available. Chain exits from the rear of the fascia, so notching of the fascia for chain clearance not required.

Others: Notching of the fascia for proper operation of the chain is required. Bent-aluminum or sheet-steel fascia attached by double-face tape or Velcro™ and/or glued to metal brackets, clip mounted or exposed screws.

MOUNTING BRACKETS 3

MechoShade: .125 in. (1/8 in.) steel back plane, fully engaged in supporting the shade assembly: 2-1/4 in. W x 1-3/4 in. H (with 2-1/4 in. x 1-1/8 in. self-formed overhead mounting plate).

Others: .058 in. (1/16 in.) stamped-steel bracket, self-contained all-plastic drive assembly: 1-1/2 in. W x 2-1/4 in., 2-1/2 in. W x 1-5/8 in., and 2-1/2 in. W x 2-1/8 in. Note: Different size shades may need different size hardware.

MULTI-BAND SHADE OPERATION AT FACETED WINDOWS 4

MechoShade: Yes. Multi-band option is available; universal angled-drive assembly with up to 12 degree offset brass tube connector (6" + 6") at each window mullion.

Others: No. Multi-band generally not available; offset angle drive is not available.

PLASTIC 5

MechoShade: High-impact, high-density, high-strength. Delrin and Teflon engineered plastic component hardware.

Others: Fiberglass reinforced polyester.

SPROCKET 6

MechoShade: One-piece injection molded high-density, fiberglass-filled Delrin™. The ball chain is fully engaged. Each ball is fully supported and cupped in the sprocket.

Others: Half injection molded sprocket in medium density ABS plastic or fiberglass filled polyester with half-ball engagement and a flat plastic back plane. The sprocket partially supports the ball, and the balance rubs against the plastic back plane.

be removed from the brackets in order to remove the shadeband. Some manufacturers have vinyl anchor which requires shade disassembly. Some cassette units require the entire shade assembly to be removed, end assembly unscrewed, in order to remove the tube and remove the shade. Then, the spring needs to be reset when assembled.

EDGE CLEARANCE 8

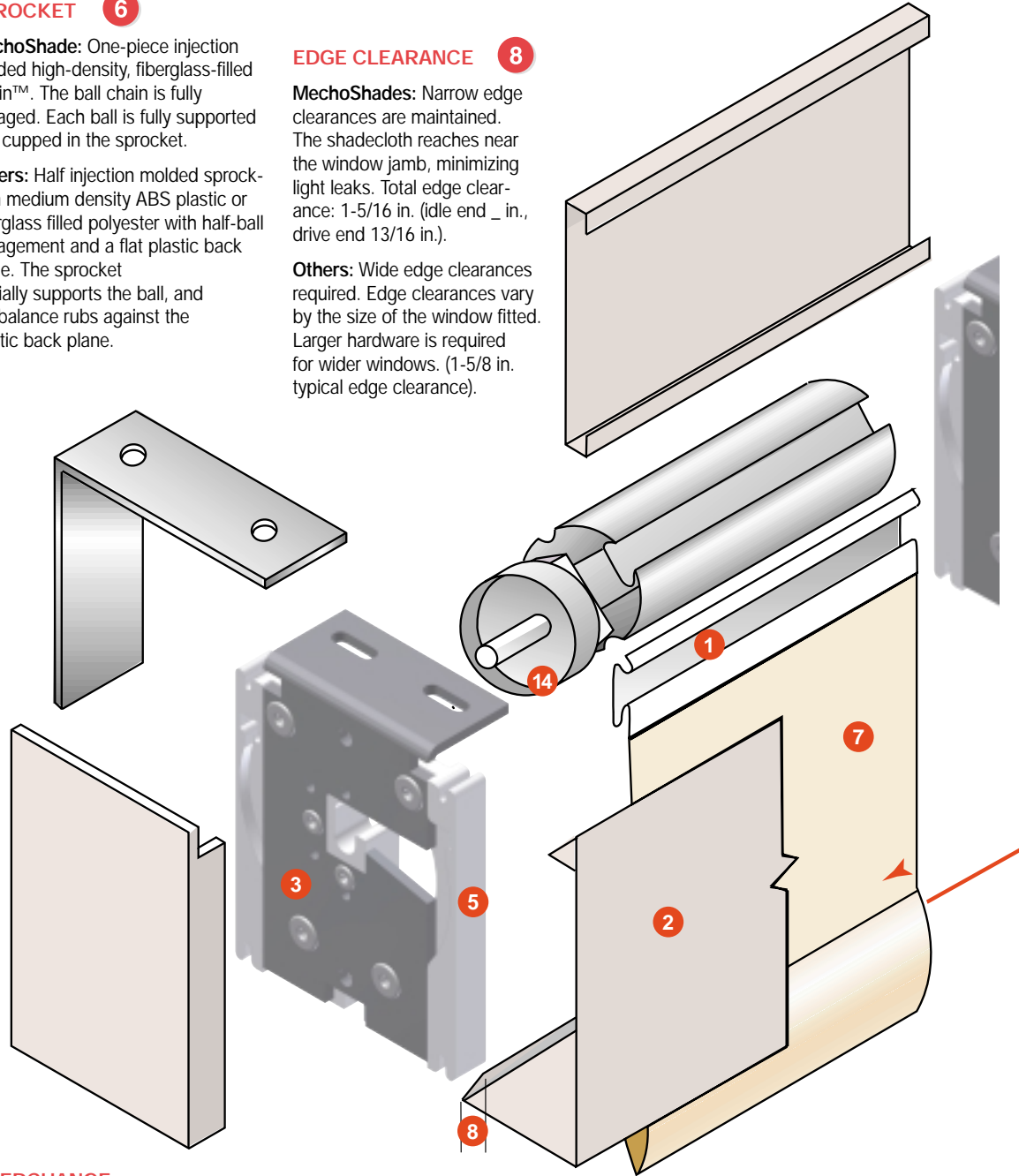
MechoShades: Narrow edge clearances are maintained. The shadecloth reaches near the window jamb, minimizing light leaks. Total edge clearance: 1-5/16 in. (idle end in., drive end 13/16 in.).

Others: Wide edge clearances required. Edge clearances vary by the size of the window fitted. Larger hardware is required for wider windows. (1-5/8 in. typical edge clearance).

DRIVE / TUBE CONNECTION 10

MechoShades: De-mountable tube mechanically keys to drive brackets assembly to prevent slippage.

Others: Drive mechanism friction fit inside tube. Tube replacement may require replacement of drive mechanism.



INTERCHANGE OR REPLACEMENT OF SHADEBANDS 7

MechoShade: Shadebands can be fully replaced on site without having to remove the drive brackets, the idle-end brackets or the tube with patented SnapLoc tube and SnapLoc spline.

Others: Single unit. The entire tube drive and the shade assembly must

MULTI-BAND SHADES 9

MechoShades: Available. The system can accommodate up to three shadebands/tubes operated by a single drive chain.

Others: Generally not available.

WIDE-SPAN SHADES 11

MechoShades: The shade system includes one-size drive-end and idle-end brackets with 1.204 in., 1.5 in., 1.75 in., 1.875 in. and 2.125 in. diameter shade tubes for standard and extra wide shades.

Others: Narrow, standard and wide windows require various sizes of

* Varies by manufacturer. Specifications subject to change without notice.

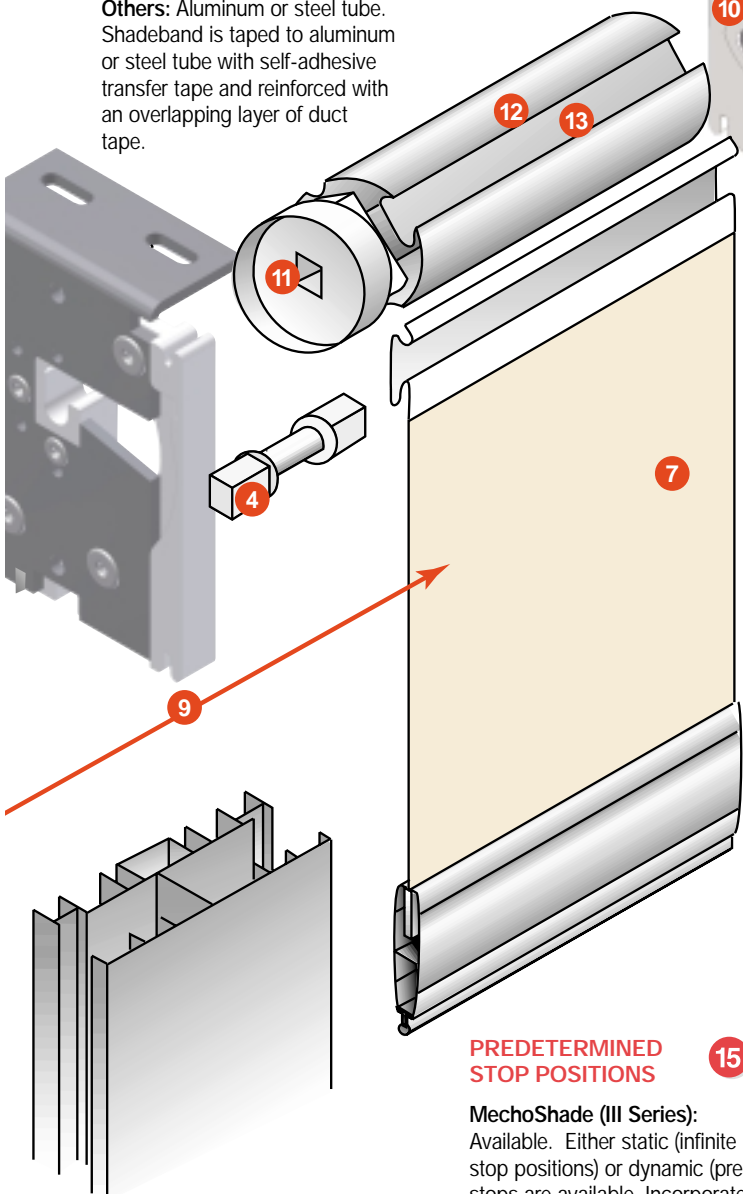


clutch assemblies, tubes and brackets. Hardware varies from 1-1/2 in. W x 2-1/2 in. H to 3-19/32 in. W x 4-19/32 in. H in six intermediate sizes

SHADE-TUBE MOUNTING 12

MechoShade: Extruded aluminum with a .065 in. wall and two SnapLoc mounting raceways to accept the SnapLoc spline and shade assembly for removable shadebands and proper mounting alignment.

Others: Aluminum or steel tube. Shadeband is taped to aluminum or steel tube with self-adhesive transfer tape and reinforced with an overlapping layer of duct tape.



SHADE TUBE SUPPORT 13

MechoShade: The regressed end cap fits over the idle-end support plug. Binding of the shade tube against the idle end bracket is prevented.

Others: Standard pin holder. Its' face can be forced against the idle-end pin causing additional friction thereby affecting the operation of the shade.

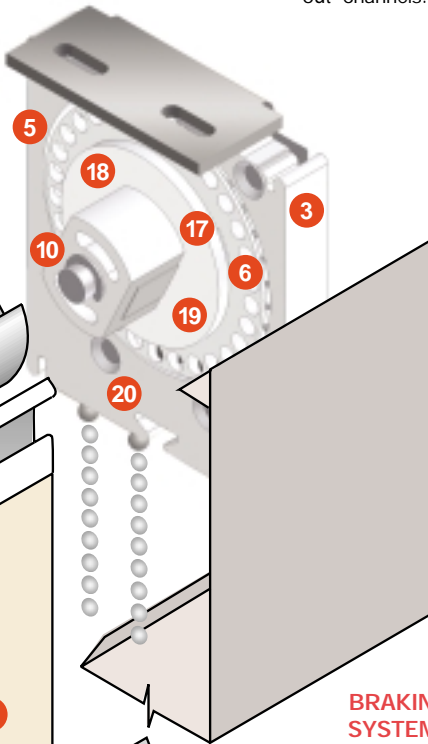
CHAIN 14

MechoShade: Stainless steel bead chain with qualified spacing, assuring smooth and precise operation. 90 lb. Test.

Others: Plastic bead chain on a woven polyester cord or nickel-plated steel chain at approx. 30 lb. Test.

tube as required.

Others: Not available. The fascia must be notched. The chain interferes with the blackout channels.



BRAKING SYSTEM 17

MechoShade (V Series): An overrunning clutch design that disengages to 90% during

the raising and lowering of the shade and can withstand a pull force of 40 lbs. (18 kg). Maximum lift shade band of 20 lbs. (9 kg). System operates on an lite oil steel bearing utilizing a high tension steel square spring.

Others: Wrapped spring utilizing many short round wire springs. A locking spring grips and compresses on a plastic hub, creating a braking action. Integrity of the plastic in high use areas is questionable.

PREDETERMINED STOP POSITIONS 15

MechoShade (III Series): Available. Either static (infinite stop positions) or dynamic (preset) stops are available. Incorporates 0% to 100% friction to control the rate of shade fall.

Others: Not available. Static mode with only infinite stop positions.

OFFSET CHAIN DRIVE 16

MechoShade: Available. Accepts optional blackout channels. The drive chain can waterfall on the room side or on the window side of the shade

BRAKE MOUNTING 18

MechoShade: Shaft supports an oil impregnated hub onto which the clutch is mounted.

Others: Coiled spring. Open ended and mounted on a plastic shaft and snapped into a plastic sprocket assembly, creating a self-contained

assembly supported by a plastic housing.

BRAKING SURFACE 19

MechoShade: Patented self-lubricating oil impregnated steel hub onto which the brake system is mounted includes an articulated brake assembly and patented brake design, which assures smooth, non-jerky operation in raising and lowering shades.

Others: 2.35 sq. in. wire spring rotating on a plastic shaft. Braking action occurs when the spring is compressed around the plastic shaft.

BRAKE ADJUSTMENT 20

MechoShade: New Mecho/5 drive bracket requires no adjustments, resulting in faster installations. One size fits all.

Others: Non-adjustable assembly. Larger shades require different models – all in different sizes. Washers absorb the rotation friction.

WARRANTY 21

MechoShade (V Series): Conditional lifetime warranty on Mecho/5 components and shadecloth, including the bead chain. MechoShade is able to do this because it is a single source manufacturer.

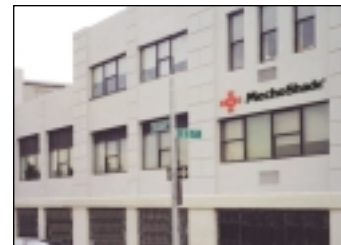
Others: One to five year manufacturer's warranty on the clutch. Warranty of brackets and tubes not published. Shadecloth warranty and conditions provided by mill supplier. Shadecloth and hardware warranties are a split responsibility, varying by supplier and dealer. No single source warranty manufacturer.



Why MechoShade® Systems?

Originator of Roller shade/screen concept over 25 years ago

- No company has greater experience or capabilities engineers and manufactures complete systems, hardware, accessories, shade cloths and electronic controls.
- Hardware includes various patents and design awards including a Roscoe in 1977.
- 3rd Generation Hardware in Mecho®/5 with Limited Lifetime Warranty.
- Innovative solutions such as DoubleShade.
- Full range of accessories for fascia, pockets, closures, side channels.
- MechoShade Electronic Controls with unique functions, designed for the requirements of the commercial market Exclusive relationship with our mills, allow unique capability to design and provide solar shade cloths, engineered for specific uses.
- Control of design, quality and specifications.
- Sponsored major study on solar optical properties (see Yelliot Report), and developed appropriate densities and colors as a result.
- Ability to provide custom colors, weaves and patterns.
- Unique SuperWide width 126" shade cloth.



Corporate Headquarters,
Long Island City, NY

Extensive Capacity – 2 major US manufacturing plants

- Long Island City, NY – Corp. Headquarters since 1981.
- Phoenix, AZ – Opened May 2000 – 58,000 square feet of manufacturing space.
- Edison, NJ – 73,000 square foot manufacturing facility.
- Multi-million dollar inventory.
- QuickShip™ program available due to capacity increase.
- Significant reduction in turn-around times, from PO to shipment.



Phoenix, AZ Plant



Edison, NJ Plant

Most experienced contract dealer network

- The best window covering dealers in most major markets are **MechoShade Contract Dealers**.
- Most of original 50 signed up in 1988 still with MechoShade Systems.
- Currently hundreds of qualified contract dealers MechoShade World Wide.
- Extensive fabricator network in UK, Asia, South America and Middle East.
- Ability to service projects and specifications world wide.



Computer Operated Cutting
Machine – Edison, NJ Plant

Environmentally-Conscience Products

- Commitment to protecting our environment by providing shading systems that help buildings increase their environmental, economic and energy efficiency.
- MechoShade Systems' products have been specified in buildings that have been rated by the US Green Building Council's LEED™ Rating System.
- Introducing EcoVeil™ – A totally sustainable shade cloth that is fully recyclable and devoid of harmful materials.

