



Mercantile Gallery Loft Condominiums. Dealer: Best Blind & Shade. Photographer: Kenneth Hayden. All of Louisville, KY.

Enjoy the Benefits of Both Mesh and Room Darkening Fabrics in One Window Shade

Dual brackets allow one to install two shades into an opening without a headbox or fascia. Contact Draper for all options.

Dual Roller FlexShade Brackets

- Can be ceiling or wall mount.
- Use with manual or motorized FlexShades.
- Recessed installation with a wall clip and closure gives a faux pocket look.

Dual Roller FlexShade with Fascia

Enjoy the benefits of two fabrics in one window shade without the need for a recessed headbox. Conceal the endcaps and rollers with a stylish extruded aluminum fascia.

- Matching endcaps available for mounting outside window opening.
- Extruded aluminum fascia is available in five colors: black, white, ivory, bronze, or clear anodized, plus custom powder coat.
- Accommodates Motorized FlexShades, Manual FlexShades, Battery operated FlexShades, and 24V FlexShades.



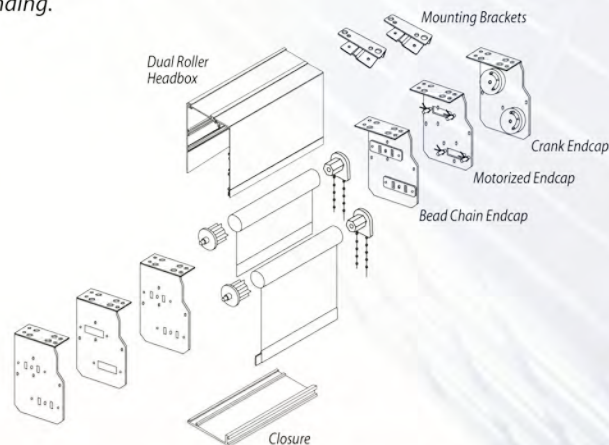
Dimensions, drawings and specifications available at:
www.draperinc.com/go/DualRollerFascia.htm

Access Dual Roller FlexShade

Two shades are vertically stacked in Draper's Access headbox, allowing you to install the headbox during the construction phase, and install your shade rollers later.

- Bead chain clutch or motor-in-roller operation.
- Combine a glare control fabric with room darkening or LightBloc FlexShade (side and sill channel) for complete blackout.
- Optional ¼" wide ceiling tile flange.

U.S. Patent Nos. 6,532,109, 6,421,175 and 6,816,308. Other patents pending.



Dual Roller FlexShade Brackets (shown here with optional headbox)

Dimensions, drawings and specifications available at:
www.draperinc.com/go/AccessDualRoller.htm