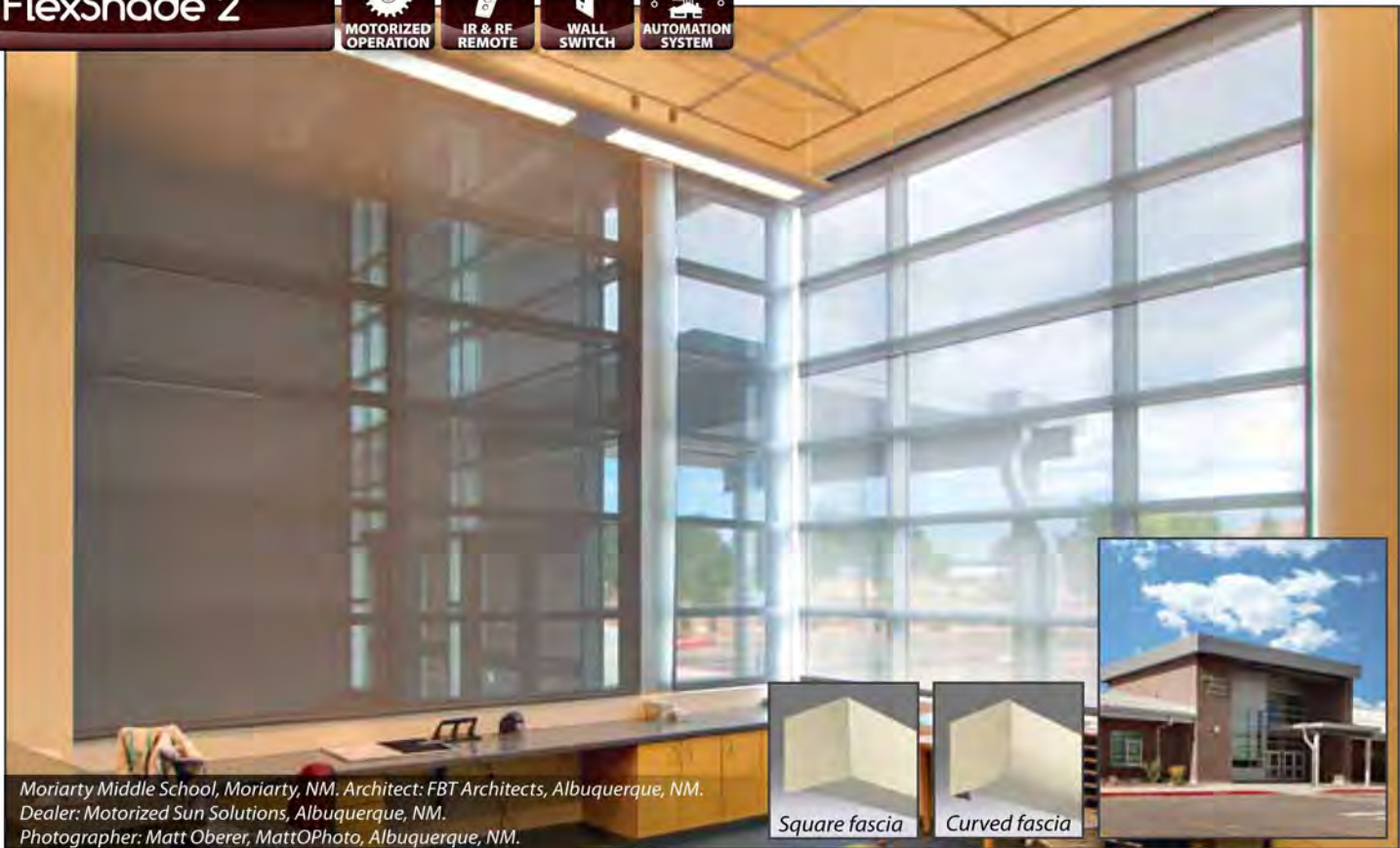


FlexShade 2



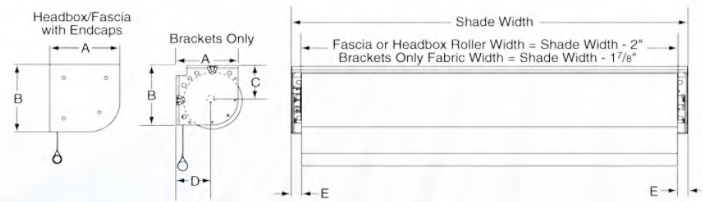
Moriarty Middle School, Moriarty, NM. Architect: FBT Architects, Albuquerque, NM.
 Dealer: Motorized Sun Solutions, Albuquerque, NM.
 Photographer: Matt Oberer, MattOPhoto, Albuquerque, NM.

Intermediate-sized Motorized Shades with Your Choice of Hardware, Styles, and Colors

FlexShade 2 is an intermediate sized shade between the Motorized FlexShade and Colossal FlexShade products.

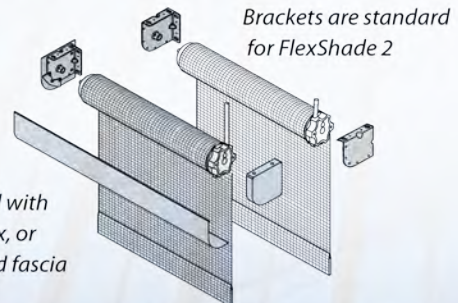
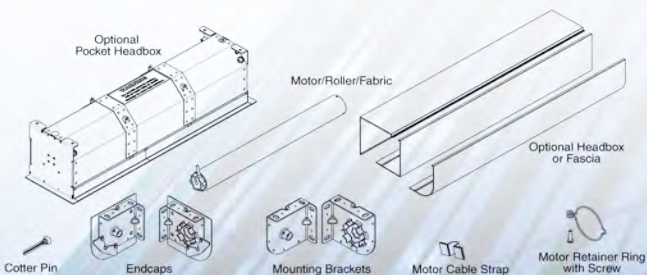
- Available in sizes 3' to 16' wide and up to 30' tall, depending on fabric.
- Spring loaded idler end for easy installation.
- Battens are used to ensure the flattest surface possible.
- Interchangeable ceiling/wall mounting brackets are standard.
- Curved/square fascia, headbox, and pocket headbox are available in five colors: clear anodized (standard), white, ivory, black and bronze.
- Wall switch included with each shade, or choose one of our versatile control options. *Details on page 8.*
- Available with optional quiet motors, or motors with built-in radio frequency control. *See page 8 for details.*

FlexShade 2 Dimensions



	Headbox with Endcaps	Fascia with Endcaps	Brackets Only
A	6 ⁵ / ₈ "	6 ¹ / ₂ "	5 ⁷ / ₁₆ "
B	6 ⁵ / ₈ "	6 ¹ / ₂ "	5 ⁷ / ₁₆ "
C	N/A	N/A	3 ³ / ₄ "
D	N/A	N/A	3 ³ / ₄ "
E	1"	1"	1 ⁵ / ₁₆ "

FlexShade 2 Hardware/Parts



Endcaps supplied with optional headbox, or squared or curved fascia

Dimensions, drawings and specifications available at:
www.draperinc.com/go/FlexShade2.htm

